



# GN 743

## Oil level sight glasses

Aluminum / natural glass, resistant up to 100 °C



### Specification

#### Types

- Type **A**: with contrast screen, blank
- Type **AS**: with contrast screen, black anodized
- Type **B**: without contrast screen, blank
- Type **BS**: without contrast screen, black anodized

#### Body

Aluminium

- Type A and B: fine turned, blank
- Type AS and BS: fine turned, black anodized

#### Contrast screen

Technopolymer (Polysulfon)

- temperature resistant up to **100 °C**
- Sight glass Float-glass
- Sealing ring rubber NBR (Perbunan)

### Information

Oil level sight glasses GN 743 offer genuine glass of high stability and scratch proof. The sealing is achieved with an O-ring on the **periphery** and not on the face edge of the glass. Leak tightness is therefore not affected by axial pressures.

The outside diameter of these oil level sight glasses with recessed hexagon is chosen to match mounting holes for tube connections according to DIN 3852.

The seal is housed in a groove and it can therefore not be lost. In addition, this groove prevents the seal from being extruded when the sight glass is tightened.

Oil level sight glasses GN 743 can be used on pressurised oil tanks. Tests regarding maximum pressure are available on request.

#### Assembly instruction:

For mounting on walls of less than 4 mm thickness please use a fixing nut [GH](#).

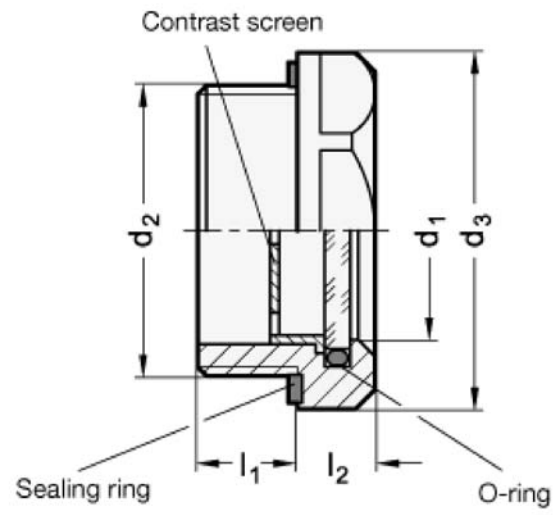
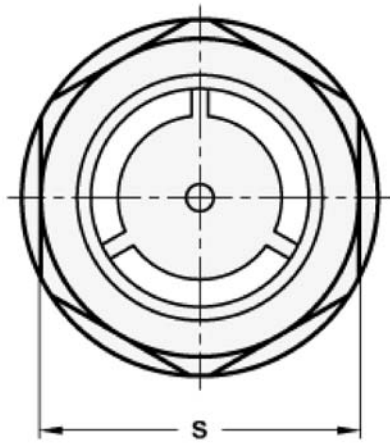
- RoHS compliant (only types AS and BS)

### Accessory

- Fixing nut [GH](#).

### On request

- EPDM seal



## GN 743

Description	d <sub>1</sub>	d <sub>2</sub>	d <sub>3</sub>	l <sub>1</sub>	l <sub>2</sub>	s	Weight
GN 743-7-M14x1,5-A	7	M 14 x 1,5	20	7.5	6.5	18	6
GN 743-7-M14x1,5-AS	7	M 14 x 1,5	20	7.5	6.5	18	6
GN 743-11-M16x1,5-A	11	M 16 x 1,5	22	8	7.5	20	10
GN 743-11-M16x1,5-AS	11	M 16 x 1,5	22	8	7.5	20	10
GN 743-14-M20x1,5-A	14	M 20 x 1,5	26	8.5	7.5	23	12
GN 743-14-M20x1,5-AS	14	M 20 x 1,5	26	8.5	7.5	23	12
GN 743-18-M26x1,5-A	18	M 26 x 1,5	32	9	8	30	18
GN 743-18-M26x1,5-AS	18	M 26 x 1,5	32	9	8	30	18
GN 743-18-M27x1,5-A	18	M 27 x 1,5	32	9	8	30	18
GN 743-18-M27x1,5-AS	18	M 27 x 1,5	32	9	8	30	18
GN 743-24-M33x1,5-A	24	M 33 x 1,5	40	11	8.5	36	26
GN 743-24-M33x1,5-AS	24	M 33 x 1,5	40	11	8.5	36	26
GN 743-32-M40x1,5-A	32	M 40 x 1,5	50	12	9	46	39
GN 743-32-M40x1,5-AS	32	M 40 x 1,5	50	12	9	46	39
GN 743-32-M42x1,5-A	32	M 42 x 1,5	50	12	9	46	48
GN 743-32-M42x1,5-AS	32	M 42 x 1,5	50	12	9	46	48
GN 743-7-M14x1,5-B	7	M 14 x 1,5	20	7.5	6.5	18	6
GN 743-7-M14x1,5-BS	7	M 14 x 1,5	20	7.5	6.5	18	6
GN 743-11-M16x1,5-B	11	M 16 x 1,5	22	8	7.5	20	10
GN 743-11-M16x1,5-BS	11	M 16 x 1,5	22	8	7.5	20	10
GN 743-14-M20x1,5-B	14	M 20 x 1,5	26	8.5	7.5	23	12
GN 743-14-M20x1,5-BS	14	M 20 x 1,5	26	8.5	7.5	23	12
GN 743-18-M26x1,5-B	18	M 26 x 1,5	32	9	8	30	18
GN 743-18-M26x1,5-BS	18	M 26 x 1,5	32	9	8	30	18
GN 743-18-M27x1,5-B	18	M 27 x 1,5	32	9	8	30	18
GN 743-18-M27x1,5-BS	18	M 27 x 1,5	32	9	8	30	18
GN 743-24-M33x1,5-B	24	M 33 x 1,5	40	11	8.5	36	26
GN 743-24-M33x1,5-BS	24	M 33 x 1,5	40	11	8.5	36	26
GN 743-32-M40x1,5-B	32	M 40 x 1,5	50	12	9	46	39
GN 743-32-M40x1,5-BS	32	M 40 x 1,5	50	12	9	46	39
GN 743-32-M42x1,5-B	32	M 42 x 1,5	50	12	9	46	48
GN 743-32-M42x1,5-BS	32	M 42 x 1,5	50	12	9	46	48
GN 743-7-G1/4-A	7	G 1/4	20	7.5	6.5	18	9
GN 743-7-G1/4-AS	7	G 1/4	20	7.5	6.5	18	9
GN 743-11-G3/8-A	11	G 3/8	22	8	7.5	20	10
GN 743-11-G3/8-AS	11	G 3/8	22	8	7.5	20	10
GN 743-14-G1/2-A	14	G 1/2	26	8.5	7.5	23	12
GN 743-14-G1/2-AS	14	G 1/2	26	8.5	7.5	23	12
GN 743-18-G3/4-A	18	G 3/4	32	9	8	30	18
GN 743-18-G3/4-AS	18	G 3/4	32	9	8	30	18
GN 743-24-G1-A	24	G 1	40	11	8.5	36	26
GN 743-24-G1-AS	24	G 1	40	11	8.5	36	26
GN 743-32-G11/4-A	32	G 1 1/4	50	12	9	46	40
GN 743-32-G11/4-AS	32	G 1 1/4	50	12	9	46	40
GN 743-32-G11/2-A	32	G 1 1/2	60	13	9	55	80
GN 743-32-G11/2-AS	32	G 1 1/2	60	13	9	55	80
GN 743-7-G1/4-B	7	G 1/4	20	7.5	6.5	18	9
GN 743-7-G1/4-BS	7	G 1/4	20	7.5	6.5	18	9
GN 743-11-G3/8-B	11	G 3/8	22	8	7.5	20	10
GN 743-11-G3/8-BS	11	G 3/8	22	8	7.5	20	10
GN 743-14-G1/2-B	14	G 1/2	26	8.5	7.5	23	12
GN 743-14-G1/2-BS	14	G 1/2	26	8.5	7.5	23	12
GN 743-18-G3/4-B	18	G 3/4	32	9	8	30	18
GN 743-18-G3/4-BS	18	G 3/4	32	9	8	30	18
GN 743-24-G1-B	24	G 1	40	11	8.5	36	26
GN 743-24-G1-BS	24	G 1	40	11	8.5	36	26
GN 743-32-G11/4-B	32	G 1 1/4	50	12	9	46	40
GN 743-32-G11/4-BS	32	G 1 1/4	50	12	9	46	40
GN 743-32-G11/2-B	32	G 1 1/2	60	13	9	55	80
GN 743-32-G11/2-BS	32	G 1 1/2	60	13	9	55	80